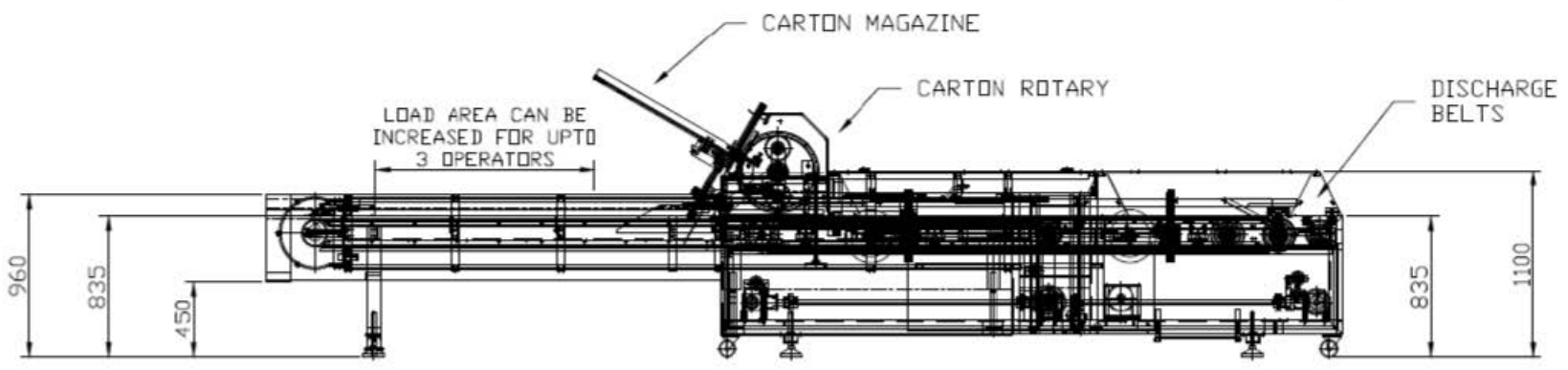
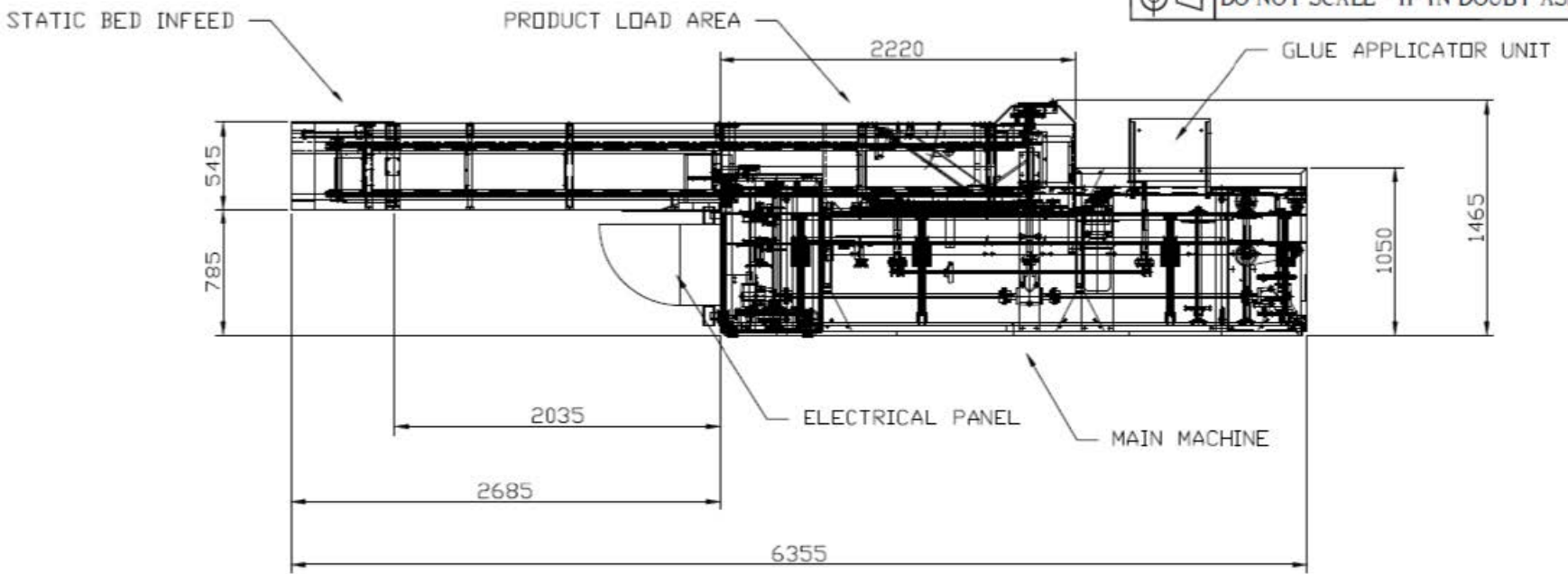




DO NOT SCALE - IF IN DOUBT ASK.



T. Freemantle Limited  
 13 Atkinson Way,  
 Foxhills Industrial Estate,  
 Scunthorpe DN15 8QJ

T: +44(0) 1724 276908  
 F: +44(0) 1724 276909

THIS DOCUMENT AND ALL THE INFORMATION IS THE SOLE PROPERTY OF T. FREEMANTLE LIMITED AND IS CONFIDENTIAL AND MUST NOT BE MADE PUBLIC, REPRODUCED OR GIVEN TO A THIRD PARTY UNLESS WRITTEN PERMISSION HAS BEEN OBTAINED FROM T. FREEMANTLE LIMITED.  
 THIS DRAWING IS ALSO SUBJECT TO RETURN UPON DEMAND BY T. FREEMANTLE LIMITED.

THIS DRAWING IS SUBJECT TO COPYRIGHT RULES  
 Limits Not Stated +/- 0.25mm

Drawn By: M. WELTON	CHK'D By: M. WELTON	Scale: 1 : 25
Date: 23/06/06	Date: 23/06/06	Material: N/A
Title: AUTOMATIC END LOAD CARTONER LAYOUT		
Drwg No: TF-L-013	Rev: 0.	

REV.	DESCRIPTION	DRAWN	DATE	CHK'D
0.	ISSUED FOR APPROVAL.	NJW	23/06/06	NJW